



TOP 15 ADVANTAGES

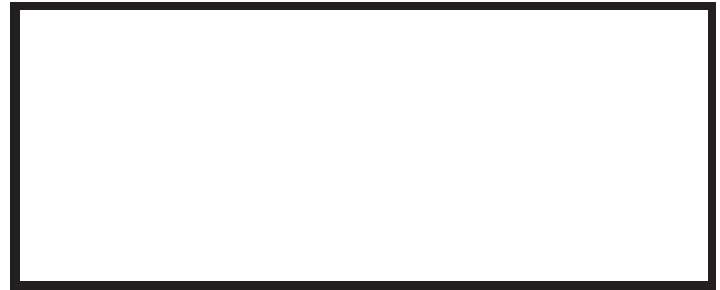
1. Stainless Steel Frame & Door. The entire frame, doors, partition and floor are built using 409 enhanced stainless steel for durability and resilience against corrosion.
2. Large Integrated Coal Hopper. The built in 700 lb hopper prevents the possibility of costly and dangerous burn back that may occur on a direct to bin scenario.
3. Stainless Steel Ultra Insulated Chimney. Stainless steel double wall insulated chimney keeps flue temperatures high for enhanced draft and increased efficiency.
4. Seven Gauge Removable Water Jacket. The 90 gallon capacity water jacket made of durable seven gauge steel for improved heat transfer and faster recovery.
5. Stainless Steel One Piece Roof. Corrosion resistant one piece roof for superior leak prevention.
6. Lifting Hooks. Two top hooks for easier furnace replacement.
7. Self Venting Expansion Tank. Eliminates pressure build-up.
8. Integrated Cabinet for Stoker Controls. Large cabinet with large door for easy access to stoker drive system.
9. Chimney Cleanout Door. Stainless steel cleanout permits easy cleaning of chimney.
10. Self Cleaning Rotating 17" Burning Head. Maximum burning efficiency is maintained with no or little maintenance.
11. Double Reduction Gear Box With Chain Drive Stoker.
12. Automatic Ash Auger. For less maintenance.
13. Control Panel. Easy to operate adjustable temperature and high limit controllers with thermometer, water level indicator and low water cut off features.
14. Hopper Access Door. Large integrated hopper access door allows for numerous filling options.
15. Coal Auger Feed Control. D.C. motor with variable speed control with reverse.



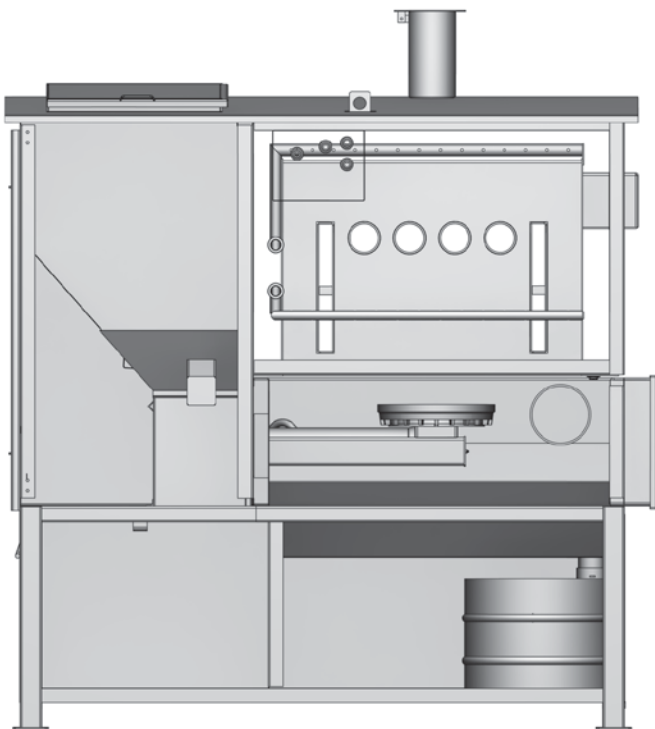
Box 989, 499 Manitoba Road
Winkler, Manitoba, Canada, R6W 4B1
Toll Free: 1-(888) 385-HEAT (4328)
Phone: (204) 325-4253
Fax: (204) 325-0628
www.heatinnovations.com

At Heat Innovations we strive to provide top quality, reliable heating solutions that save you money

Available Through your authorized Coalman / Homesteader Dealer



- Total Width 40"
- Total Height 91", 102" with expansion tank
- Total Length 94"
- Chimney Size 8"
- Stoker Size 17"
- Hopper Capacity 1000 lbs
- Water Jacket Mild Steel 7 Guage
- Stove Body Stainless Steel
- Water Capacity 90 Imperial Gallons, 108 U.S. Gallons
- Approximate Heating Area 400,000 BTU, 8500 SQ FT
- Shipping Weight 2600 LBS



Manufactured By



Box 989, 499 Manitoba Road
Winkler, Manitoba, Canada, R6W 4B1
Toll Free: 1-(888) 385-HEAT (4328)
Phone: (204) 325-4253
Fax: (204) 325-0628
www.heatinnovations.com